



**Выключатель нагрузки с повышенной отключаемой способностью Socomec Sirco HW - брошюра на продукцию. Юниджет**

Постоянная ссылка на страницу: <https://www.uni-jet.com/catalog/commutation/vyklyuchateli-nagruzki/socomec-sirco-hw/>



# SIRCO High Withstand 2000 to 3200 A

- ▶ **Functions**
- ▶ **References**
- ▶ **Characteristics**
- ▶ **Dimensions**

## Functions

**SIRCO HW** are load break switches especially developed for the networks with high short circuit current.

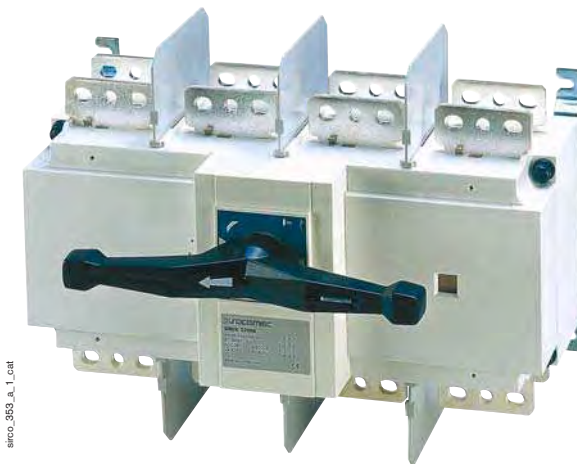
They break on and off under load and provide safety isolation for low voltage circuit.

## Conformity to standards

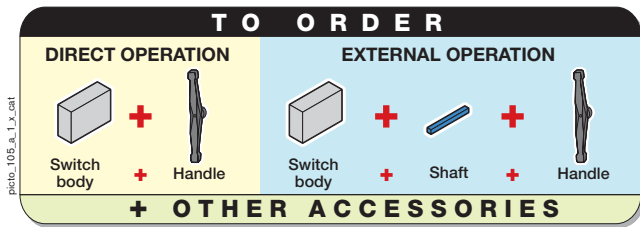
- IEC 60947-3
- EN 60947-3
- VDE 0660-107 (1992)
- NBN EN 60947-3
- BS EN 60947-3

## General characteristics

- Fully visible breaking.
- High thermal and dynamic withstand: 80 kA 1s, 110 kA 0.1 s, 240 kA peak.
- Arduous utilisation categories (AC-22 and AC-23).
- Good electrical and mechanical endurance.
- High resistance to humidity (supplied "tropicalised").



sirco\_383\_a\_1\_cat



## References

Rating (A)	No. of pole	Switch body	Direct front handle	Door interlocked external front handle	Shaft extensions for external handle
2000	3 P	26HW 3200	Black 2799 <b>7012</b>  Red 2799 <b>7013</b>	Black 2799 <b>7136</b>  Red 2799 <b>7134</b>	200 mm 2799 <b>3015</b>  320 mm 2799 <b>3018</b>  450 mm 2799 <b>3019</b>
	4 P	26HW 4200			
2500	3 P	26HW 3250			
	4 P	26HW 4250			
3200	3 P	26HW 3320			
	4 P	26HW 4320			

### + ADDITIONAL ACCESSORIES

Rating (A)	Auxiliary contacts	Terminal screens <sup>(1)</sup>	Inter phase barriers	Handle key interlocking accessories - Direct front operation
2000	1 <sup>st</sup> AC NO/NC changeover 3/4 P 2699 <b>0031</b>	3 P 2698 <b>3200</b>	standard	Locking using lock 2699 <b>6027</b> <sup>(2)</sup>
2500	2 <sup>nd</sup> AC NO/NC changeover 3/4 P 2699 <b>0032</b>	4 P 2698 <b>4200</b>		Locking by undervoltage AC trip coil 230 VAC 2699 <b>9315</b>
3200				

(1) Top / Bottom.  
(2) Lock not included.

Other accessories: see "SIRCO" page A.26

# SIRCO

## High Withstand

### 2000 to 3200 A

Functions

References

▶ Characteristics

▶ Dimensions

### Characteristics (according to IEC 60947-3)

Thermal current $I_{th}$ (40°C)	2000 A	2500 A	3200 A
Rated insulation voltage $U_i$ (V)	1000	1000	1000
Rated impulse withstand voltage $U_{imp}$ (kV)	12	12	12

### Rated operational currents $I_e$ (A)

Rated voltage	Load duty category	A/B <sup>(1)</sup>	A/B <sup>(1)</sup>	A/B <sup>(1)</sup>
400 VAC	AC-21 A / AC-21 B	2000/2000	2500/2500	3200/3200
	AC-22 A / AC-22 B	2000/2000	2000/2500	2500/2500
	AC-23 A / AC-23 B	1250/1250	1250/1250	1250/1250
500 VAC	AC-21 A / AC-21 B	2000/2000	2500/2500	3200/3200
	AC-22 A / AC-22 B	1600/2000	1600/2000	2000/2000
	AC-23 A / AC-23 B	1000/1000	1000/1000	1000/1000
690 VAC <sup>(2)</sup>	AC-20 A / AC-20 B	2000/2000	2500/2500	3200/3200
	AC-21 A / AC-21 B	2000/2000	2000/2500	2000/2500
	AC-22 A / AC-22 B	1000/1000	1000/1000	1000/1000
	AC-23 A / AC-23 B	800/800	800/800	800/800
220 VDC	DC-20 A / DC-20 B	2000/2000	2500/2500	3200/3200
	DC-21 A / DC-21 B	2000/2000	2000/2500	2000/2500
	DC-22 A / DC-22 B	1250/1600	1250/1600	1250/1600
	DC-23 A / DC-23 B	1250/1250	1250/1250	1250/1250
400 VDC	DC-20 A / DC-20 B	2000/2000	2500/2500	3200/3200
	DC-21 A / DC-21 B	2000/2000	2000/2000	2000/2000
	DC-22 A / DC-22 B	1250/1250	1250/1250	1250/1250
	DC-23 A / DC-23 B	1000 <sup>(3)</sup> /1000 <sup>(3)</sup>	1000 <sup>(3)</sup> /1000 <sup>(3)</sup>	1000 <sup>(3)</sup> /1000 <sup>(3)</sup>
500 VDC	DC-20 A / DC-20 B	2000/2000	2500/2500	3200/3200
	DC-21 A / DC-21 B	1250/1250	1250/1250	1250/1250
	DC-22 A / DC-22 B	1250 <sup>(3)</sup> /1250 <sup>(3)</sup>	1250 <sup>(3)</sup> /1250 <sup>(3)</sup>	1250 <sup>(3)</sup> /1250 <sup>(3)</sup>
	DC-23 A / DC-23 B	1000 <sup>(3)</sup> /1000 <sup>(3)</sup>	1000 <sup>(3)</sup> /1000 <sup>(3)</sup>	1000 <sup>(3)</sup> /1000 <sup>(3)</sup>

Operational power in AC-23 (kW) <sup>(1)(4)</sup>	A/B	A/B	A/B
At 400 VAC without pre-break AC	710/710	710/710	710/710
At 500 VAC without pre-break AC	710/710	710/710	710/710
At 690 VAC without pre-break AC	750/750	750/750	750/750

### Fuse protected short-circuit withstand (kA rms prospective)<sup>(5)</sup>

Prospective short-circuit (kA rms)	100	100	-
Associated fuse rating (A)	2 x 1000	2 x 1250	-

### Overload capacity

Rated short-time withstand current 1s $I_{cw}$ (kA rms)	80	80	80
Rated short-time withstand current 0.1s $I_{cw}$ (kA rms)	110	110	110
Rated peak withstand current (kA peak) <sup>(5)</sup>	230	230	230

### Connection

Minimum Cu busbar section (mm <sup>2</sup> )	3 x 100 x 5	4 x 100 x 5	4 x 100 x 5
Maximum Cu busbar width (mm)	125	125	125
Min. tightening torque(Nm)	40	40	40

### Mechanical characteristics

Endurance (number of operating cycles)	3000	2500	2500
Operating effort (Nm)	60	60	60
Weight of 3 P switch (kg)	31	32	42
Weight of 4 P switch (kg)	40	40	49

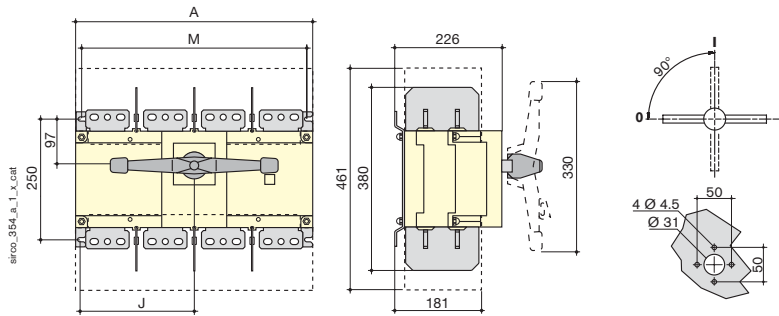
(1) A/B: Category with index A= frequent operation - Category with index B= infrequent operation. (2) With terminal shrouds or phase barrier. - (3) 4-pole device with 2 pole in series by polarity. (4) The power value is given for the information only, the current values vary from one manufacturer to another. (5) For a rated operating voltage  $U_e=400$  VAC.



## Dimensions

### • SIRCO 2000 to 3200 A

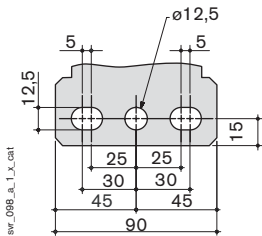
Direct front operation



Rating (A)	Overall dimensions		Switch body		Switch mounting	
	A 3p.	A 4p.	J 3p.	J 4p.	M 3p.	M 4p.
2000 ... 3200	372	492	173.5	233.5	347	467

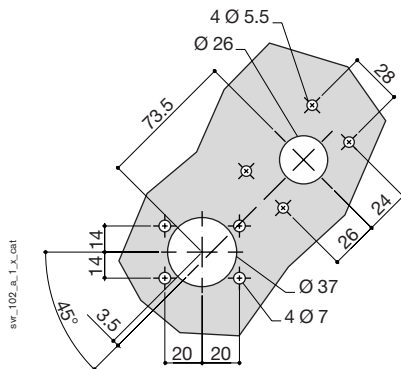
### ► Connection terminals

#### • 2000 to 3200 A



### ► Door drilling

#### • With RONIS EL11 AP lock



#### • With CASTELL K lock

